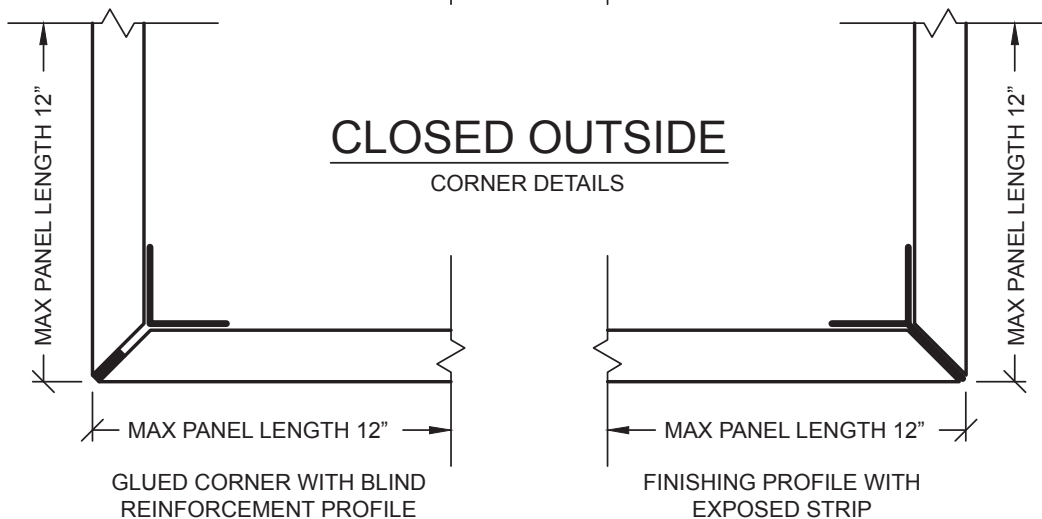
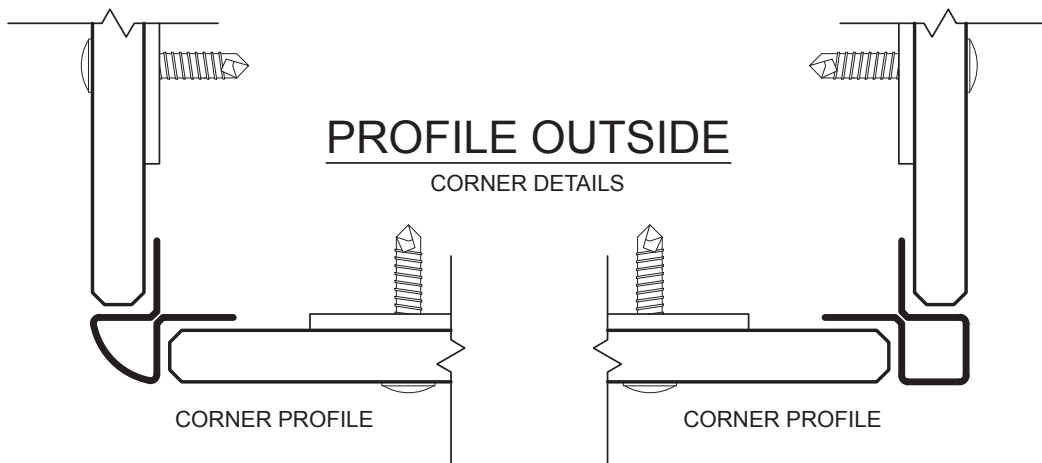
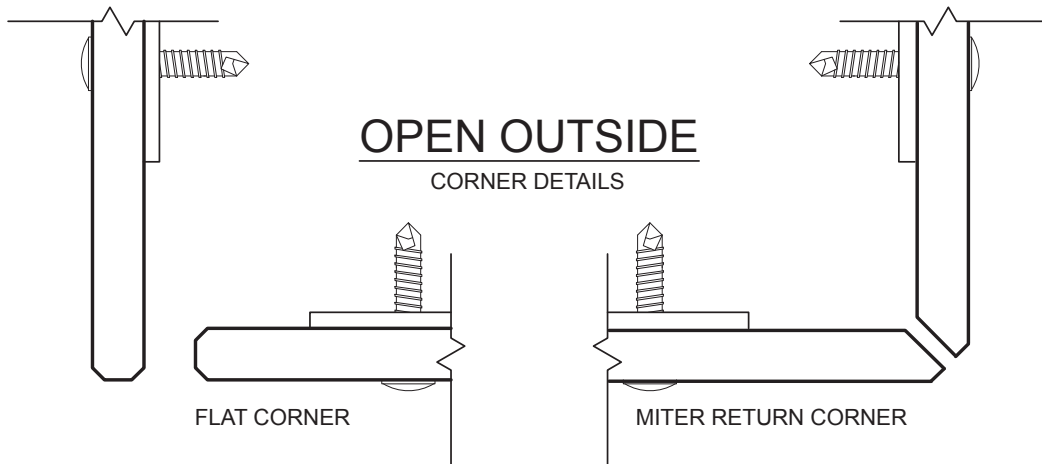


OUTSIDE CORNER INSTALLATION OPTIONS
DETAIL NO. 8B



R1114

THE INFORMATION SHOWN HERE IS TO BE USED FOR PROMOTIONAL PURPOSES ONLY. IT IS THE USER'S RESPONSIBILITY TO CONFIRM THE APPROPRIATENESS AND COMPLETENESS OF THE INFORMATION FOR THEIR OWN PRACTICAL USE. MEG INC OR ANY AFFILIATE SHALL NOT BE LIABLE IN THE EVENT OF INCIDENTAL OR CONSEQUENTIAL DAMAGES IN CONNECTION WITH, OR ARISING FROM, THE USE OF THE INFORMATION IN THIS DOCUMENT.

THE TECHNICAL DETAILS / TECHNICAL DRAWINGS ABOVE APPLY STRICTLY TO THE U.S./CANADIAN MARKET. FOR MEG APPLICATIONS IN OTHER COUNTRIES, PLEASE CONTACT ABET LAMINATI HEADQUARTERS VIA ABET@ABET-LAMINATI.IT.