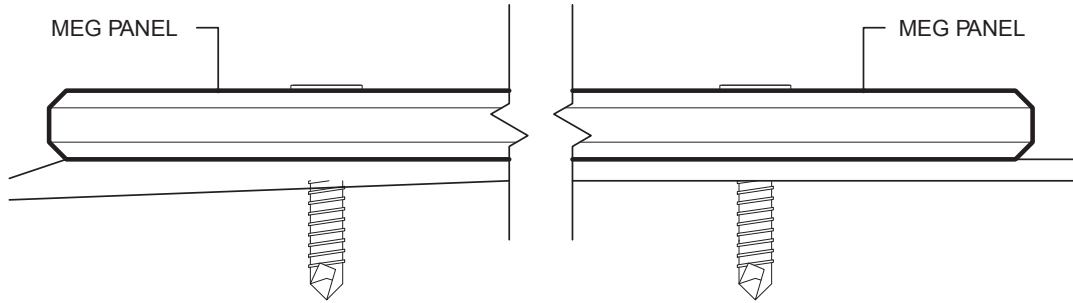




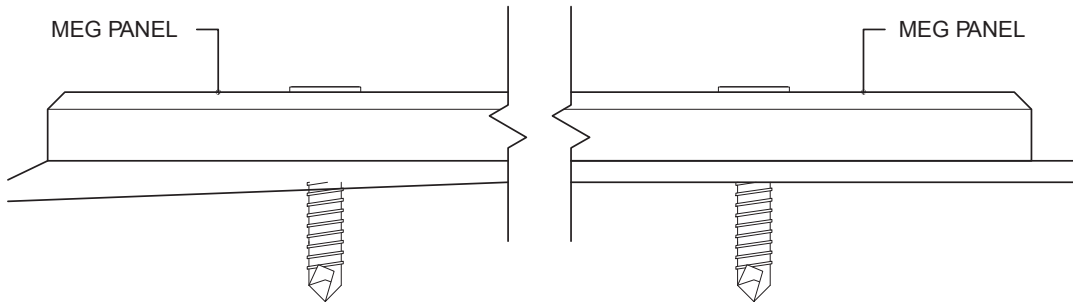
## MEG PANEL FABRICATION AND FINISHING

MATERIAL EXTERIOR GRADE

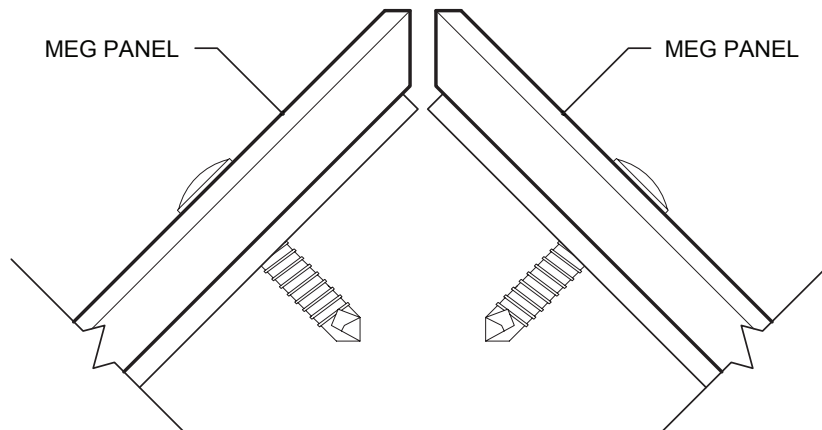


### MEG PANEL WITH ALL EDGES BEVELED

RECOMMENDED EDGE DETAIL



### MEG PANEL WITH FRONT EDGE BEVELED



### CORNER CHAMFER - 45°

BEST USED IN LOW TRAFFIC AREAS

R1114

PLEASE NOTE: MEG PANELS COME WITH A FACTORY EDGE. ALL FOUR EDGES OF AN INSTALLED PANEL REQUIRE COMPLETE AND PROPER FABRICATION. NEVER INSTALL MEG PANELS WITH THE FACTORY EDGE.

THE INFORMATION SHOWN HERE IS TO BE USED FOR PROMOTIONAL PURPOSES ONLY. IT IS THE USER'S RESPONSIBILITY TO CONFIRM THE APPROPRIATENESS AND COMPLETENESS OF THE INFORMATION FOR THEIR OWN PRACTICAL USE. MEG INC OR ANY AFFILIATE SHALL NOT BE LIABLE IN THE EVENT OF INCIDENTAL OR CONSEQUENTIAL DAMAGES IN CONNECTION WITH, OR ARISING FROM, THE USE OF THE INFORMATION IN THIS DOCUMENT

THE TECHNICAL DETAILS/TECHNICAL DRAWINGS ABOVE APPLY STRICTLY TO THE US/CANADIAN MARKET  
FOR MEG APPLICATIONS IN OTHER COUNTRIES, PLEASE CONTACT ABET LAMINATI HEADQUARTERS VIA: [abet@abet-laminati.it](mailto:abet@abet-laminati.it)

Materials Exterior Grade Inc  
60 West Sheffield Ave.  
Englewood, NJ 07631 - 855.770.7330  
[www.megwallpanels.com](http://www.megwallpanels.com)  
An Abet Laminati Company